



# Asia Trafo Co., Ltd

## SPECIFICATION OF OIL IMMERSED CURRENT TRANSFORMER

### CURRENT TRANSFORMER SPECIFICATION

22 kV 250/5/5 A. 50 Hz.

30VA. Class 0.5 (5P20)

88/99 หมู่ 12 ซ.สุนทรวิภาต อ.บางพลี - ตำบล ต.บางปลา อ.บางพลี จ.สมุทรปราการ 10540 Tel. (02) 346-0980-7 Fax. (02) 346-0978-9

88/99 Moo.12 Soi sunthonwipark Bangplee -tumroo Road Bangpra Bangplee samuthprakarn 10540 Tel. (02) 346-0980-7 Fax. (02) 346-0978-9

SPEC NO.

S-CT22000-250/5/5 A

Page 1/3



# Asia Trafo Co., Ltd

## SPECIFICATION OF OIL IMMERSED CURRENT TRANSFORMER

### TECHNICAL DATA FOR 22 kV 250/5/5 A. 50 Hz. 30VA. Class 0.5 (5P20) FS < 5

| No.      | Description  | Unit        | Guaranteed Value              |             |           |
|----------|--|-------------|-------------------------------|-------------|-----------|
|          | <b>22 kV 250/5/5 A current transformers</b>                              |             |                               |             |           |
| 1        | Manufacture's name   | -           | ASIA TRAF0 CO.,LTD.           |             |           |
| 2        | Country of origin  | -           | Thailand                      |             |           |
| 3        | Type of transformer  | -           | Outdoor Installation          |             |           |
| 4        | Applied standard   | -           | IEC 61869-1, IEC 61869-2      |             |           |
| 5        | Type of outer insulation   | -           | Oil Immersed                  |             |           |
|          | <b>Rating</b>  |             |                               |             |           |
| 7        | Nominal voltage  | kV          | 22                            |             |           |
| 8        | Highest voltage for equipment Um   | kV          | 24                            |             |           |
| 9        | Rated primary current  | A           | 250                           |             |           |
| 10       | Rated secondary current  | A           | 5/5                           |             |           |
| 11       | Rated frequency  | Hz          | 50                            |             |           |
| 12       | Rated Burden   |             |                               |             |           |
|          | - Core 1   | VA          | 30                            |             |           |
|          | - Core 2   | VA          | 30                            |             |           |
| 13       | Accuracy class   |             |                               |             |           |
|          | - Core 1   | -           | 0.5                           |             |           |
|          | - Core 2   | -           | 5P20                          |             |           |
| 14       | Minimum nominal specific creepage distance                               | mm/kV       | ≥ 25                          |             |           |
| 15       | Rated power frequency withstand voltage on primary and secondary winding | kV,r.m.s    | 50/3                          |             |           |
| 16       | Rated lightning impulse withstand voltage                                | kV,peak     | 125                           |             |           |
| 17       | Class of insulation  | -           | A (105 °C)                    |             |           |
| 18       | Rated short-time thermal current (Ith), 1s                               | kA          | 0.1 x In                      |             |           |
| 19       | Rated dynamic current (Idyn)   | kA          | 2.5 x Ith                     |             |           |
|          | <b>Weight / dimensions and installation</b>                              |             |                               |             |           |
| 20       | Primary terminals / Primary connector                                    | -           | NEMA Pad/ 4 holes             |             |           |
| 21       | Secondary terminals  | -           | Brass threaded stud type / M6 |             |           |
| 22       | Earth terminal   | -           | for 35-50 mm <sup>2</sup>     |             |           |
| 23       | Altitude   | -           | Up to 1,000 m above sea level |             |           |
| 24       | Maximum temperature-rise test of winding                                 | k           | 60                            |             |           |
| 25       | Maximum ambient temperature  | °C          | 40                            |             |           |
| 26       | Dimension (WxLxH)  | mm          | 298 x 500 x 720               |             |           |
| 27       | Total weight (approx.)   | kg          | 50                            |             |           |
|          | <b>Other</b>   |             |                               |             |           |
| 28       | Accessories as per the specification                                     | -           | Yes                           |             |           |
|          | <b>Test requirements</b>   |             |                               |             |           |
| 29       | Type test reports  | -           | Yes                           |             |           |
| 30       | Routine test reports   | -           | Yes                           |             |           |
|          |  |             |                               |             |           |
|          |  |             |                               |             |           |
| Rev      | Date   | Prepared by | Checked by                    | Approved by | Signature |
| 00       | 12/6/2566  | รัฐมนตรา    | กิตติ                         | กิตติ       |           |
| SPEC NO. | S-CT22000-250/5/5 A  |             |                               | Page 2/3    |           |



# Asia Trafo Co., Ltd

## SPECIFICATION OF OIL IMMERSED CURRENT TRANSFORMER

### Accessories

- HV & LV Bushing with terminal connectors
- Bird guard cap
- Earthing terminal
- Other ... Factory standard

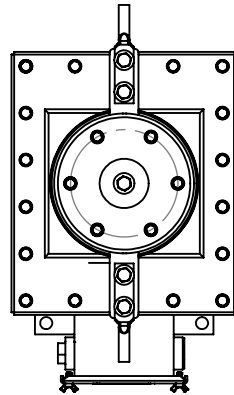
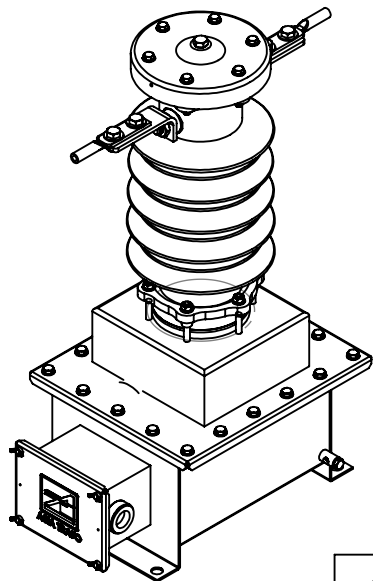
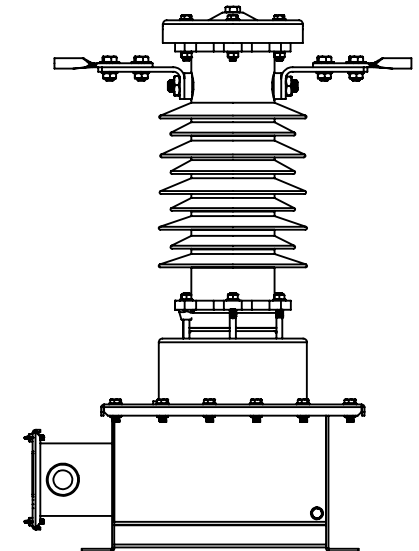
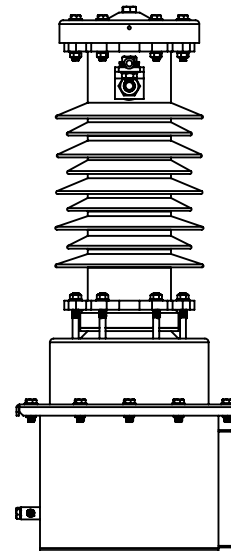
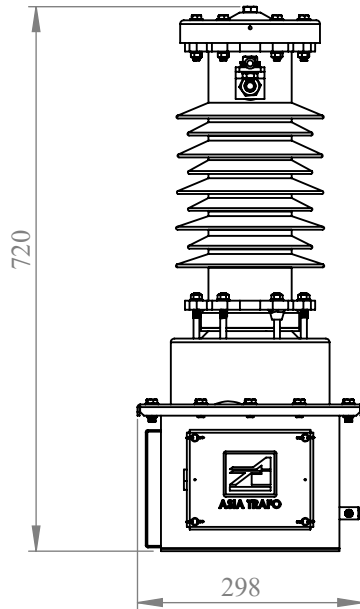
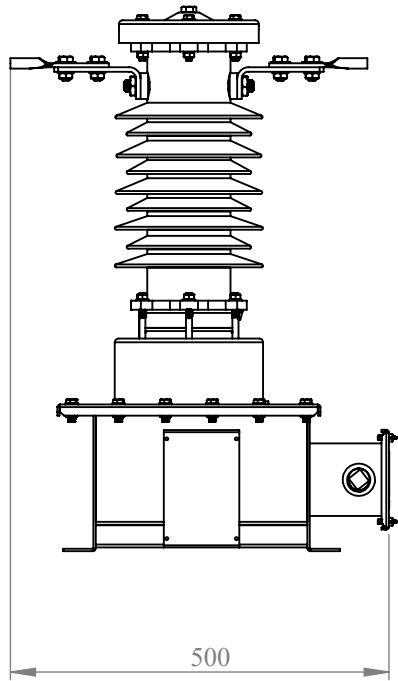
### Routine test

- Verification marking
- Insulation resistance
- Power frequency voltage withstand tests on primary terminals
- Power frequency voltage withstand test on secondary terminals
- Partial discharge measurement
- Inter-turn overvoltage test
- Test for accuracy

■ with


□ without

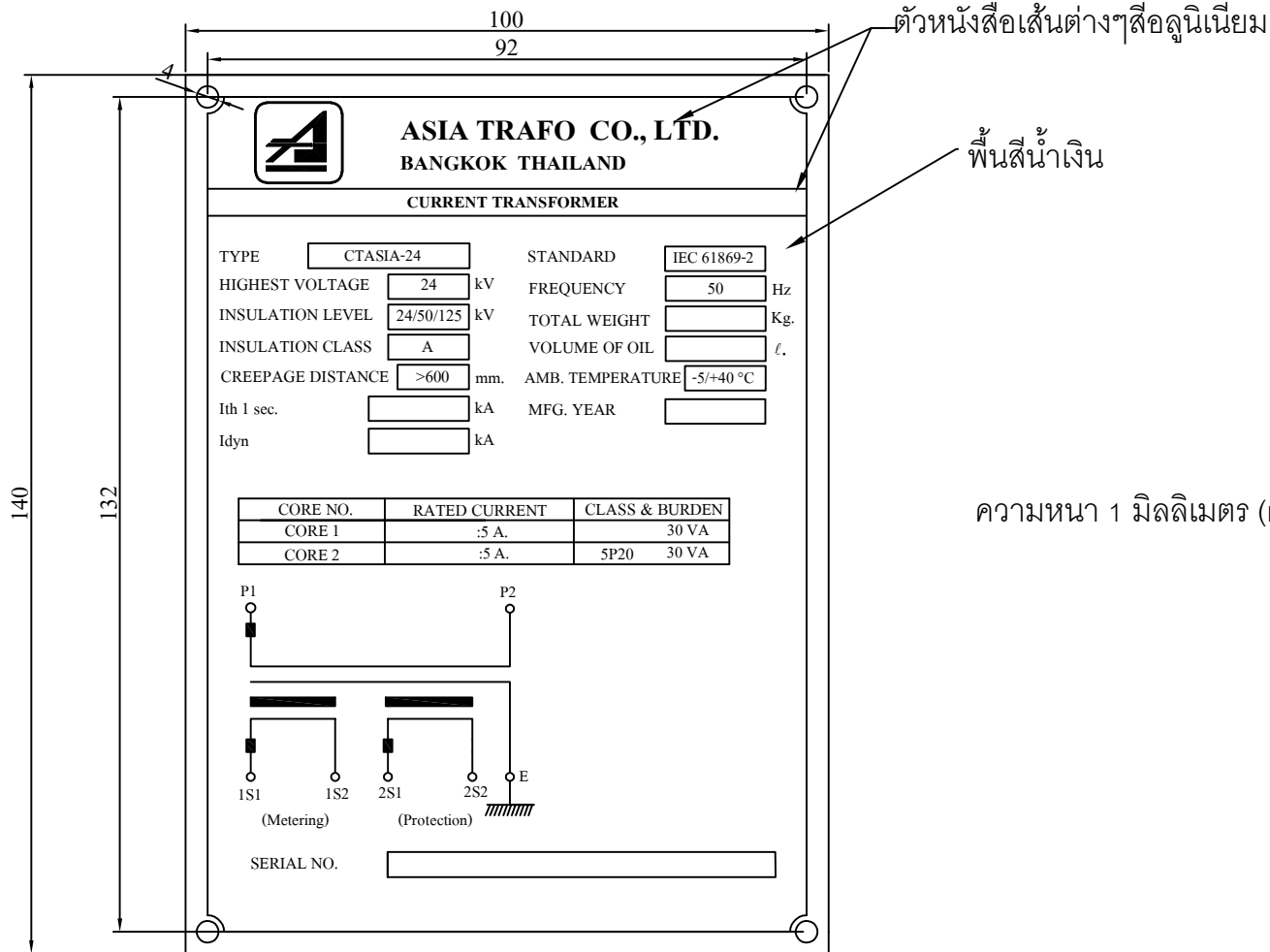
|          |                     |             |            |             |           |
|----------|---------------------|-------------|------------|-------------|-----------|
|          |                     |             |            |             |           |
| Rev      | Date                | Prepared by | Checked by | Approved by | Signature |
| 00       | 12/6/2566           | รัฐมนตรา    | กิตติ      | กิตติ       |           |
| SPEC NO. | S-CT22000-250/5/5 A |             |            |             | Page 3/3  |



| Dimension in millimeter |     |     |        |     |
|-------------------------|-----|-----|--------|-----|
| H                       | L   | W   | Weight | Oil |
| 720                     | 481 | 298 | 50     | 9   |

| Rev.No. | Revision Note |
|---------|---------------|
| △       |               |
| △       |               |

|  |                                    |                   |
|--|------------------------------------|-------------------|
|  <b>บริษัท เอเชีย ทราฟ จำกัด</b><br><b>ASIA TRAF0 CO.,LTD</b> | MODEL/DESCRIPTION:<br>CT 250/5-5 A |                   |
|  | DWG:<br>250/5-22-02                |                   |
| DIMENSION IN MILLIMETER  |                                    |                   |
| DESIGNED   | NAME<br>รัฐมนตรา                   | DATE<br>12/6/2566 |
| CHECKED  | กิตติ                              | 12/6/2566         |
| APPROVED   | กิตติ                              | 12/6/2566         |
| WORK NO :  |                                    | QTY.....EA        |
| SCALE:   |                                    | REV:0             |
|  |                                    | SHEET 1 OF 1      |



หน่วย : มิลลิเมตร (mm)



บริษัท เอเชีย ทราฟิ จำกัด  
ASIA TRAF0 CO.,LTD



DIMENSION IN MILLIMETER

|         |                |
|---------|----------------|
| △       |                |
| △       |                |
| Rev No. | Revision Note. |

|          |          |           |
|----------|----------|-----------|
|          | NAME     | DATE      |
| DESIGNED | รัฐมนตรา | 12/6/2566 |
| CHECK    | กิตติ    | 12/6/2566 |
| APPROVED | กิตติ    | 12/6/2566 |

|   |              |
|---|--------------|
| MODEL/DESCRIPTION :<br>Name Plate CT 22 kV 5P20 |              |
| DWG.No :<br>250/5-22-02                         |              |
| WORK NO :<br>QTY..... EA                        |              |
| SCALE :   |              |
| REV : 00  | SHEET 1 OF 1 |