



Asia Trafo Co., Ltd

SPECIFICATION OF OIL IMMERSED CURRENT TRANSFORMER

CURRENT TRANSFORMER SPECIFICATION

22 kV 30/5 A. 50 Hz.

30VA. Class 0.5

88/99 หมู่ 12 ซ.สุนทรวิภาต ถ.บางพลี - ตำหนุ่ ต.บางปลา อ.บางพลี จ.สมุทรปราการ 10540 Tel. (02) 346-0980-7 Fax. (02) 346-0978-9

88/99 Moo.12 Soi sunthonwipark Bangplee -tumroo Road Bangpra Bangplee samuthprakarn 10540 Tel. (02) 346-0980-7 Fax. (02) 346-0978-9

SPEC NO.

S-CT22000-30/5 A

Page 1/3



Asia Trafo Co., Ltd

SPECIFICATION OF OIL IMMERSED CURRENT TRANSFORMER

TECHNICAL DATA FOR 22 kV 30/5 A. 50 Hz. 30VA. Class 0.5 FS < 5

No.	Description	Unit	Guaranteed Value
22 kV 30/5 A current transformers			
1	Manufacture's name	-	ASIA TRAF0 CO.,LTD.
2	Country of origin	-	Thailand
3	Type of transformer	-	Outdoor Installation
4	Applied standard	-	IEC 61869-1, IEC 61869-2
5	Type of outer insulation	-	Oil Immersed
Rating			
7	Nominal voltage	kV	22
8	Highest voltage for equipment Um	kV	24
9	Rated primary current	A	30
10	Rated secondary current	A	5
11	Rated frequency	Hz	50
12	Rated Burden	VA	30
13	Accuracy class	-	0.5
14	Minimum nominal specific creepage distance	mm/kV	≥ 25
15	Rated power frequency withstand voltage on primary and secondary winding	kV,r.m.s	50/3
16	Rated lightning impulse withstand voltage	kV,peak	125
17	Class of insulation	-	A (105 °C)
18	Rated short-time thermal current (Ith), 1s	kA	0.1 x In
19	Rated dynamic current (Idyn)	kA	2.5 x Ith
Weight / dimensions and installation			
20	Primary terminals / Primary connector	-	NEMA Pad/ 2 holes
21	Secondary terminals	-	Brass threaded stud type / M6
22	Earth terminal	-	for 35-50 mm ²
23	Altitude	-	Up to 1,000 m above sea level
24	Maximum temperature-rise test of winding	k	60
25	Maximum ambient temperature	°C	40
26	Dimension (WxLxH)	mm	277 x 470 x 595
27	Total weight (approx.)	kg	29
Other			
28	Accessories as per the specification	-	Yes
Test requirements			
29	Type test reports	-	Yes
30	Routine test reports	-	Yes

Rev	Date	Prepared by	Checked by	Approved by	Signature
00	12/6/2566	รัฐมนตรา	กิตติ	กิตติ	
SPEC NO.	S-CT22000-30/5 A			Page 2/3	



Asia Trafo Co., Ltd

SPECIFICATION OF OIL IMMERSED CURRENT TRANSFORMER

Accessories

- HV & LV Bushing with terminal connectors
- Bird guard cap
- Earthing terminal
- Other ... Factory standard

Type test

- Temperature-rise test
- Short-circuit withstand capability test
- Lightning impulse test
- Wet test for outdoor type transformer
- Test for accuracy

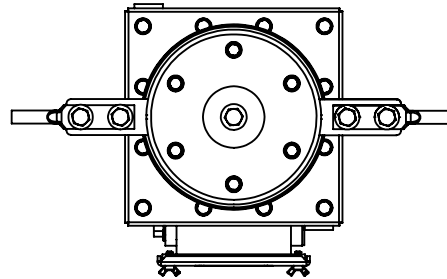
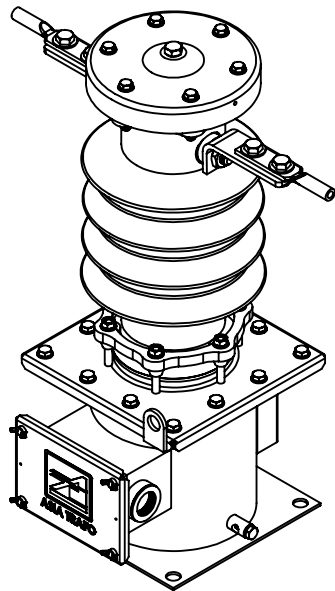
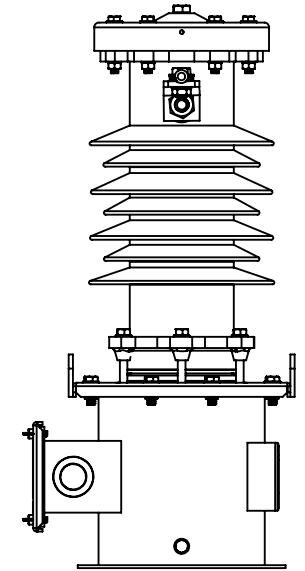
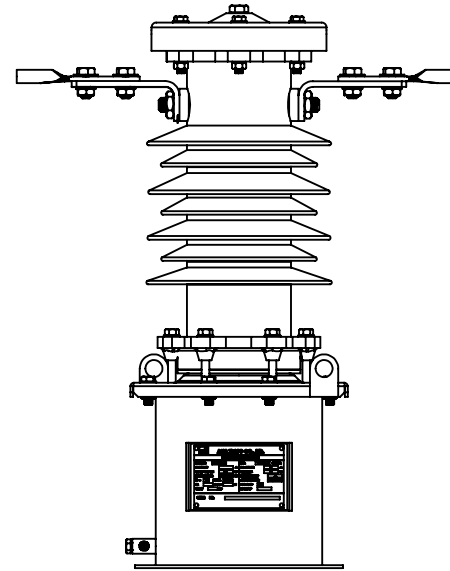
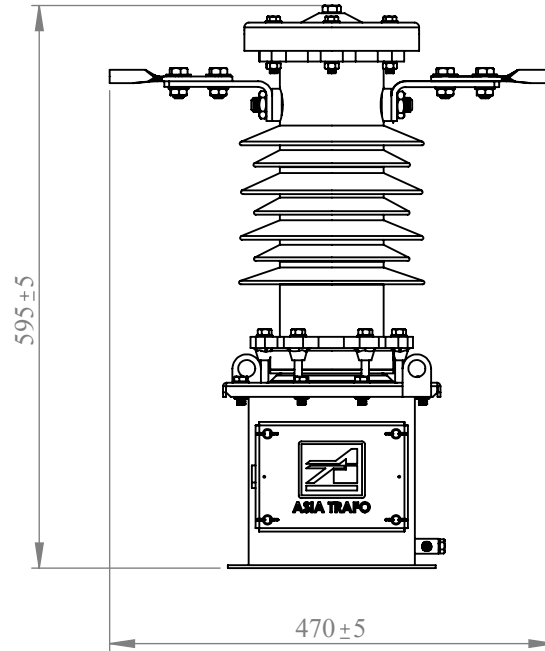
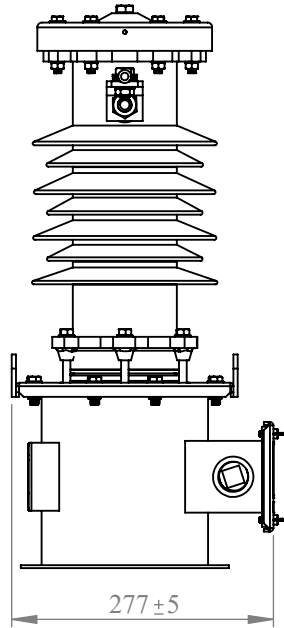
Routine test

- Verification marking
- Insulation resistance
- Power frequency voltage withstand tests on primary terminals
- Power frequency voltage withstand test on secondary terminals
- Partial discharge measurement
- Inter-turn overvoltage test
- Test for accuracy

■ with

□ without

Rev	Date	Prepared by	Checked by	Approved by	Signature
00	12/6/2566	รัฐมนตรา	กิตติ	กิตติ	
SPEC NO.	S-CT22000-30/5 A				Page 3/3



Dimension in millimeter				
H	L	W	Weight(kg)	Oill(L)
595	470	277	29	4



บริษัท เอเชีย ทราฟ จำกัด
ASIA TRAF CO.,LTD

MODEL/DESCRIPTION:
CT 30/5A
DWG: 30/5-22-01

⌀ DIMENSION IN MILLIMETER

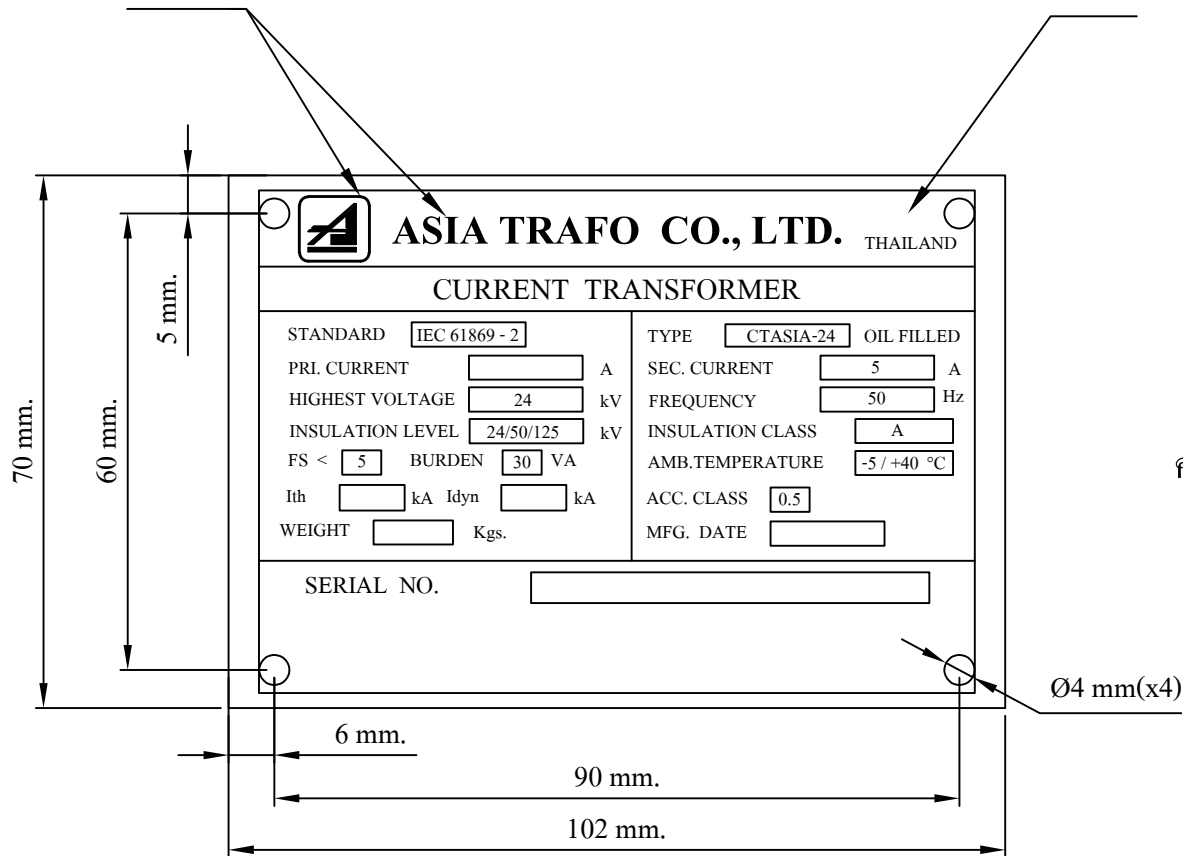
△	
△	
Rev.No.	Revision Note

	NAME	DATE
DESIGNED	รัฐมนตรา	12/6/2566
CHECKED	กิตติ	12/6/2566
APPROVED	กิตติ	12/6/2566

WORK NO :	QTY.....EA
SCALE:	
REV:0	SHEET 1 OF 7

ขอบนอกของตัวหนังสือและเส้น (สีอลูมิเนียม)

พื้น(สีน้ำเงิน)



ความหนา 1 มิลลิเมตร (mm)

	บริษัท เอเชีย ทราฟไฟ จำกัด ASIA TRAF0 CO.,LTD		MODEL/DESCRIPTION :	
			Name Plate CT 22 kV	
			DWG.No :	
			30/5-22-01	
		 DIMENSION IN MILLIMETER		WORK NO :
		NAME	DATE	QTY..... EA
△		DESIGNED	รัฐมนตรา	12/6/2566
△		CHECK	กิตติ	12/6/2566
Rev No.	Revision Note.	APPROVED	กิตติ	12/6/2566
		REV : 00	SHEET 1 OF 1	