



Asia Trafo Co., Ltd

SPECIFICATION OF OIL IMMERSED CURRENT TRANSFORMER

CURRENT TRANSFORMER SPECIFICATION

22 kV 100/5 A. 50 Hz.

30VA. Class 0.5

88/99 หมู่ 12 ซ.สุนทรวิภาต ถ.บางพลี - ตำหนุ่ ต.บางปลา อ.บางพลี จ.สมุทรปราการ 10540 Tel. (02) 346-0980-7 Fax. (02) 346-0978-9

88/99 Moo.12 Soi sunthonwipark Bangplee -tumroo Road Bangpra Bangplee samuthprakarn 10540 Tel. (02) 346-0980-7 Fax. (02) 346-0978-9

SPEC NO.

S-CT22000-100/5 A

Page 1/3



Asia Trafo Co., Ltd

SPECIFICATION OF OIL IMMERSED CURRENT TRANSFORMER

TECHNICAL DATA FOR 22 kV 100/5 A. 50 Hz. 30VA. Class 0.5 FS < 5

| No. | Description | Unit | Guaranteed Value | | |
|---|--|-------------|-------------------------------|-------------|-----------|
| 22 kV 100/5 A current transformers | | | | | |
| 1 | Manufacture's name | - | ASIA TRAF0 CO.,LTD. | | |
| 2 | Country of origin | - | Thailand | | |
| 3 | Type of transformer | - | Outdoor Installation | | |
| 4 | Applied standard | - | IEC 61869-1, IEC 61869-2 | | |
| 5 | Type of outer insulation | - | Oil Immersed | | |
| Rating | | | | | |
| 7 | Nominal voltage | kV | 22 | | |
| 8 | Highest voltage for equipment Um | kV | 24 | | |
| 9 | Rated primary current | A | 100 | | |
| 10 | Rated secondary current | A | 5 | | |
| 11 | Rated frequency | Hz | 50 | | |
| 12 | Rated Burden | VA | 30 | | |
| 13 | Accuracy class | - | 0.5 | | |
| 14 | Minimum nominal specific creepage distance | mm/kV | ≥ 25 | | |
| 15 | Rated power frequency withstand voltage on primary and secondary winding | kV,r.m.s | 50/3 | | |
| 16 | Rated lightning impulse withstand voltage | kV,peak | 125 | | |
| 17 | Class of insulation | - | A (105 °C) | | |
| 18 | Rated short-time thermal current (Ith), 1s | kA | 0.1 x In | | |
| 19 | Rated dynamic current (Idyn) | kA | 2.5 x Ith | | |
| Weight / dimensions and installation | | | | | |
| 20 | Primary terminals / Primary connector | - | NEMA Pad/ 2 holes | | |
| 21 | Secondary terminals | - | Brass threaded stud type / M6 | | |
| 22 | Earth terminal | - | for 35-50 mm ² | | |
| 23 | Altitude | - | Up to 1,000 m above sea level | | |
| 24 | Maximum temperature-rise test of winding | k | 60 | | |
| 25 | Maximum ambient temperature | °C | 40 | | |
| 26 | Dimension (WxLxH) | mm | 277 x 470 x 595 | | |
| 27 | Total weight (approx.) | kg | 29 | | |
| Other | | | | | |
| 28 | Accessories as per the specification | - | Yes | | |
| Test requirements | | | | | |
| 29 | Type test reports | - | Yes | | |
| 30 | Routine test reports | - | Yes | | |
| Rev | Date | Prepared by | Checked by | Approved by | Signature |
| 00 | 12/6/2566 | รัฐมนตรา | กิตติ | กิตติ | |
| SPEC NO. | S-CT22000-100/5 A | | | | Page 2/3 |



Asia Trafo Co., Ltd

SPECIFICATION OF OIL IMMERSED CURRENT TRANSFORMER

Accessories

- HV & LV Bushing with terminal connectors
- Bird guard cap
- Earthing terminal
- Other ... Factory standard

Type test

- Temperature-rise test
- Short-circuit withstand capability test
- Lightning impulse test
- Wet test for outdoor type transformer
- Test for accuracy

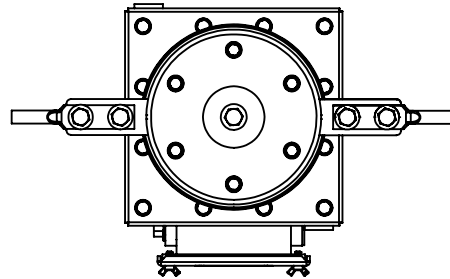
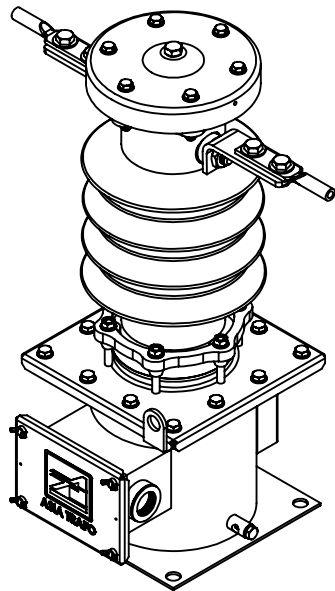
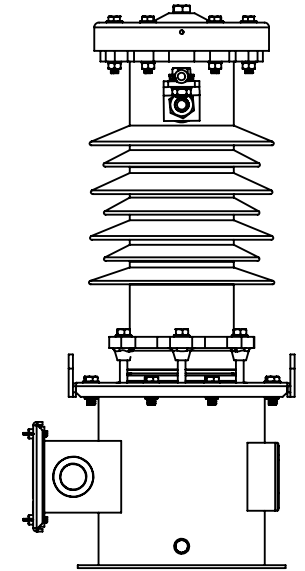
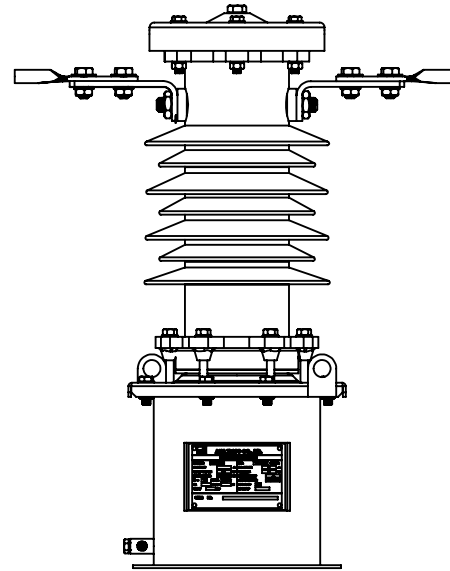
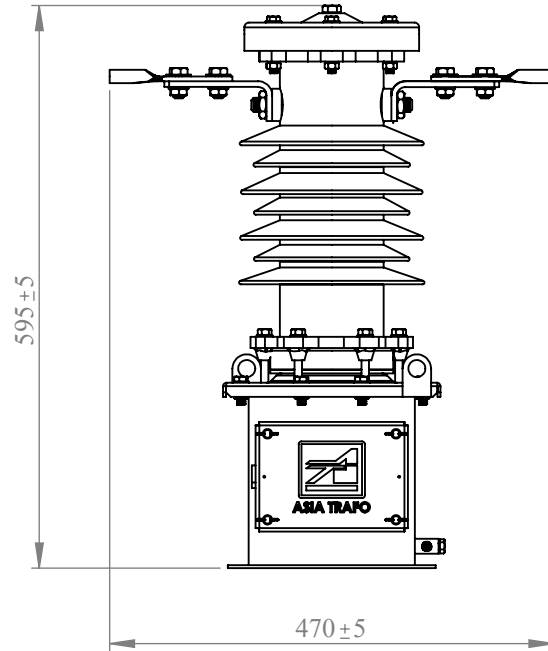
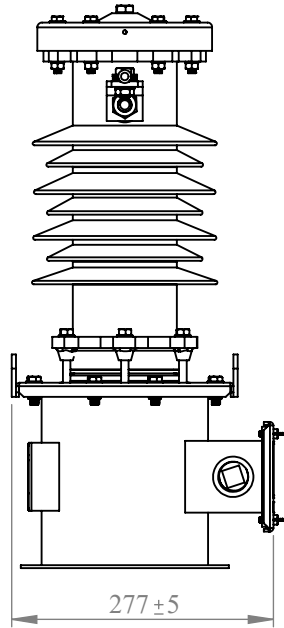
Routine test

- Verification marking
- Insulation resistance
- Power frequency voltage withstand tests on primary terminals
- Power frequency voltage withstand test on secondary terminals
- Partial discharge measurement
- Inter-turn overvoltage test
- Test for accuracy

■ with

□ without

| | | | | | |
|----------|-------------------|-------------|------------|-------------|-----------|
| | | | | | |
| Rev | Date | Prepared by | Checked by | Approved by | Signature |
| 00 | 12/6/2566 | รัฐมนตรา | กิตติ | กิตติ | |
| SPEC NO. | S-CT22000-100/5 A | | | | Page 3/3 |



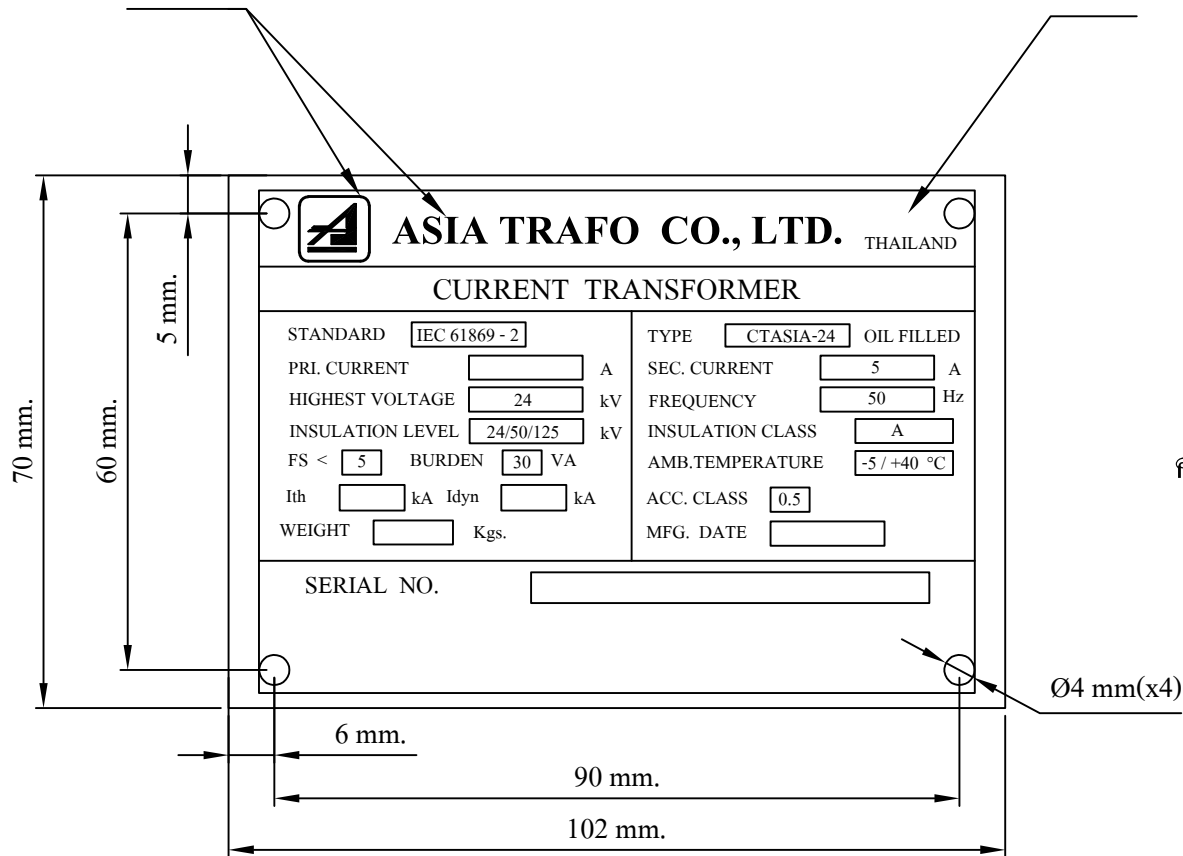
| Dimension in millimeter | | | | |
|-------------------------|-----|-----|------------|---------|
| H | L | W | Weight(kg) | Oill(L) |
| 595 | 470 | 277 | 29 | 4 |

| | |
|---------|---------------|
| △ | |
| △ | |
| Rev.No. | Revision Note |

| | | |
|--|---------------------------------|--------------|
|  บริษัท เอเชีย ทราฟ จำกัด ASIA TRAF0 CO.,LTD | MODEL/DESCRIPTION: CT 100/5A | |
| | DWG: 100/5-22-01 | |
| DIMENSION IN MILLIMETER | | |
| DESIGNED | NAME | DATE |
| CHECKED | กิตติ | 12/6/2566 |
| APPROVED | กิตติ | 12/6/2566 |
| WORK NO : | | QTY.....EA |
| SCALE: | | REV:0 |
| | | SHEET 1 OF 7 |

ขอบนอกช่องตัวหนังสือและเส้น (สื่อลูมิเนียม)

พื้น(สีน้ำเงิน)



ความหนา 1 มิลลิเมตร (mm)

| | | | | | |
|---------|--|----------|---------------------|---------------------|--------------|
| | บริษัท เอเชีย ทราฟโฟ จำกัด ASIA TRAF0 CO.,LTD | | MODEL/DESCRIPTION : | Name Plate CT 22 kV | |
| | DIMENSION IN MILLIMETER | | DWG.No : | 100/5-22-01 | |
| | DESIGNED | NAME | DATE | WORK NO : | QTY..... EA |
| △ | | รัฐมนตรา | 12/6/2566 | | |
| △ | | กิตติ | 12/6/2566 | SCALE : | |
| Rev No. | Revision Note. | APPROVED | กิตติ | 12/6/2566 | REV : 00 |
| | | | | | SHEET 1 OF 1 |