



Asia Trafo Co., Ltd

SPECIFICATION OF OIL IMMERSED CURRENT TRANSFORMER

CURRENT TRANSFORMER SPECIFICATION

22 kV 200/5 A. 50 Hz.

30VA. Class 0.5

88/99 หมู่ 12 ซ. สุนทรวิภาต ถ.บางพลี - ตำหนุ่ ต.บางปลา อ.บางพลี จ.สมุทรปราการ 10540 Tel. (02) 346-0980-7 Fax. (02) 346-0978-9

88/99 Moo.12 Soi sunthonwipark Bangplee -tumroo Road Bangpra Bangplee samuthprakarn 10540 Tel. (02) 346-0980-7 Fax. (02) 346-0978-9

SPEC NO.

S-CT22000-200/5 A

Page 1/3



Asia Trafo Co., Ltd

SPECIFICATION OF OIL IMMERSED CURRENT TRANSFORMER

TECHNICAL DATA FOR 22 kV 200/5 A. 50 Hz. 30VA. Class 0.5 FS < 5

No.	Description	Unit	Guaranteed Value		
	22 kV 200/5 A current transformers				
1	Manufacture's name	-	ASIA TRAF0 CO.,LTD.		
2	Country of origin	-	Thailand		
3	Type of transformer	-	Outdoor Installation		
4	Applied standard	-	IEC 61869-1, IEC 61869-2		
5	Type of outer insulation	-	Oil Immersed		
	Rating				
7	Nominal voltage	kV	22		
8	Highest voltage for equipment Um	kV	24		
9	Rated primary current	A	200		
10	Rated secondary current	A	5		
11	Rated frequency	Hz	50		
12	Rated Burden	VA	30		
13	Accuracy class	-	0.5		
14	Minimum nominal specific creepage distance	mm/kV	≥ 25		
15	Rated power frequency withstand voltage on primary and secondary winding	kV,r.m.s	50/3		
16	Rated lightning impulse withstand voltage	kV,peak	125		
17	Class of insulation	-	A (105 °C)		
18	Rated short-time thermal current (I _{th}), 1s	kA	0.1 x I _n		
19	Rated dynamic current (I _{dyn})	kA	2.5 x I _{th}		
	Weight / dimensions and installation				
20	Primary terminals / Primary connector	-	NEMA Pad/ 2 holes		
21	Secondary terminals	-	Brass threaded stud type / M6		
22	Earth terminal	-	for 35-50 mm ²		
23	Altitude	-	Up to 1,000 m above sea level		
24	Maximum temperature-rise test of winding	k	60		
25	Maximum ambient temperature	°C	40		
26	Dimension (WxLxH)	mm	277 x 470 x 595		
27	Total weight (approx.)	kg	29		
	Other				
28	Accessories as per the specification	-	Yes		
	Test requirements				
29	Type test reports	-	Yes		
30	Routine test reports	-	Yes		
Rev	Date	Prepared by	Checked by	Approved by	Signature
00	12/6/2566	รัฐมนตรา	กิตติ	กิตติ	
SPEC NO.	S-CT22000-200/5 A			Page 2/3	



Asia Trafo Co., Ltd

SPECIFICATION OF OIL IMMERSED CURRENT TRANSFORMER

Accessories

- HV & LV Bushing with terminal connectors
- Bird guard cap
- Earthing terminal
- Other ... Factory standard

Type test

- Temperature-rise test
- Short-circuit withstand capability test
- Lightning impulse test
- Wet test for outdoor type transformer
- Test for accuracy

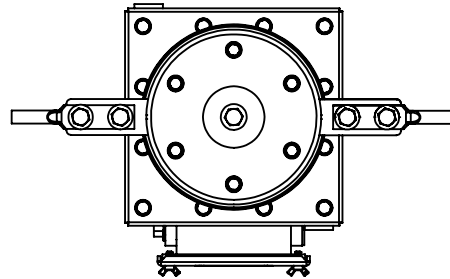
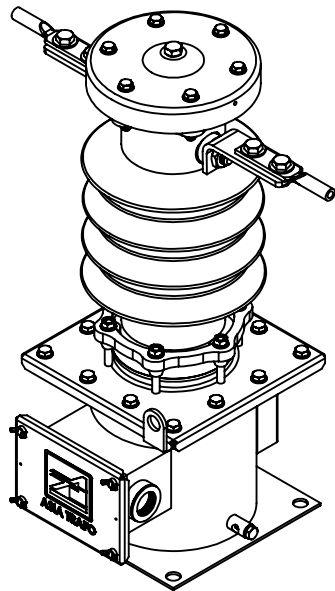
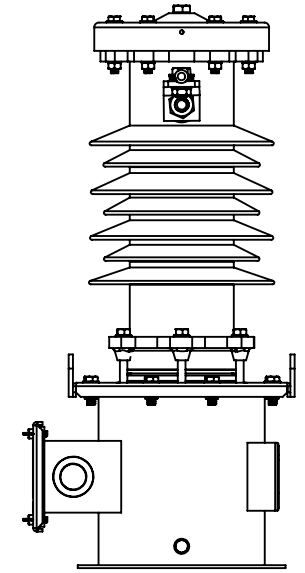
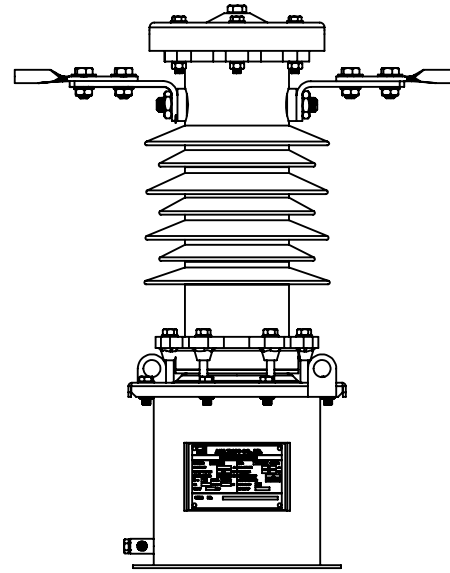
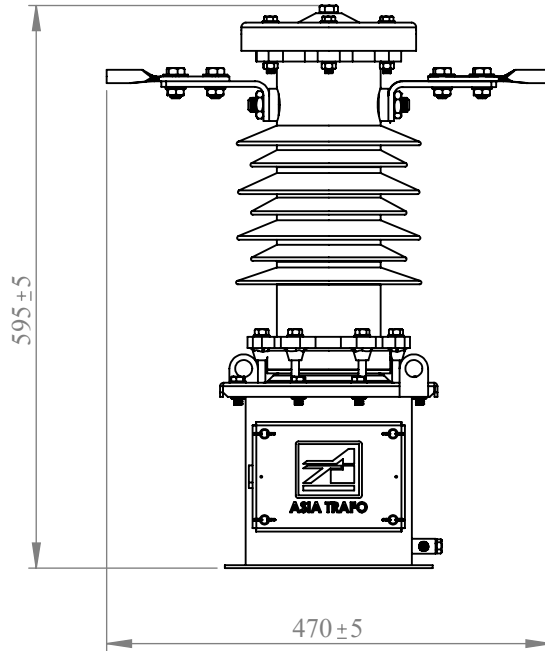
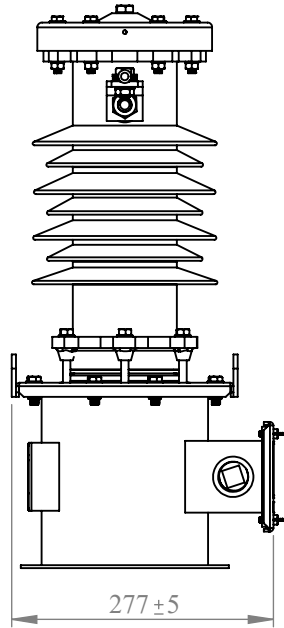
Routine test

- Verification marking
- Insulation resistance
- Power frequency voltage withstand tests on primary terminals
- Power frequency voltage withstand test on secondary terminals
- Partial discharge measurement
- Inter-turn overvoltage test
- Test for accuracy

■ with


□ without

Rev	Date	Prepared by	Checked by	Approved by	Signature
00	12/6/2566	รัฐมนตรา	กิตติ	กิตติ	
SPEC NO.	S-CT22000-200/5 A				Page 3/3



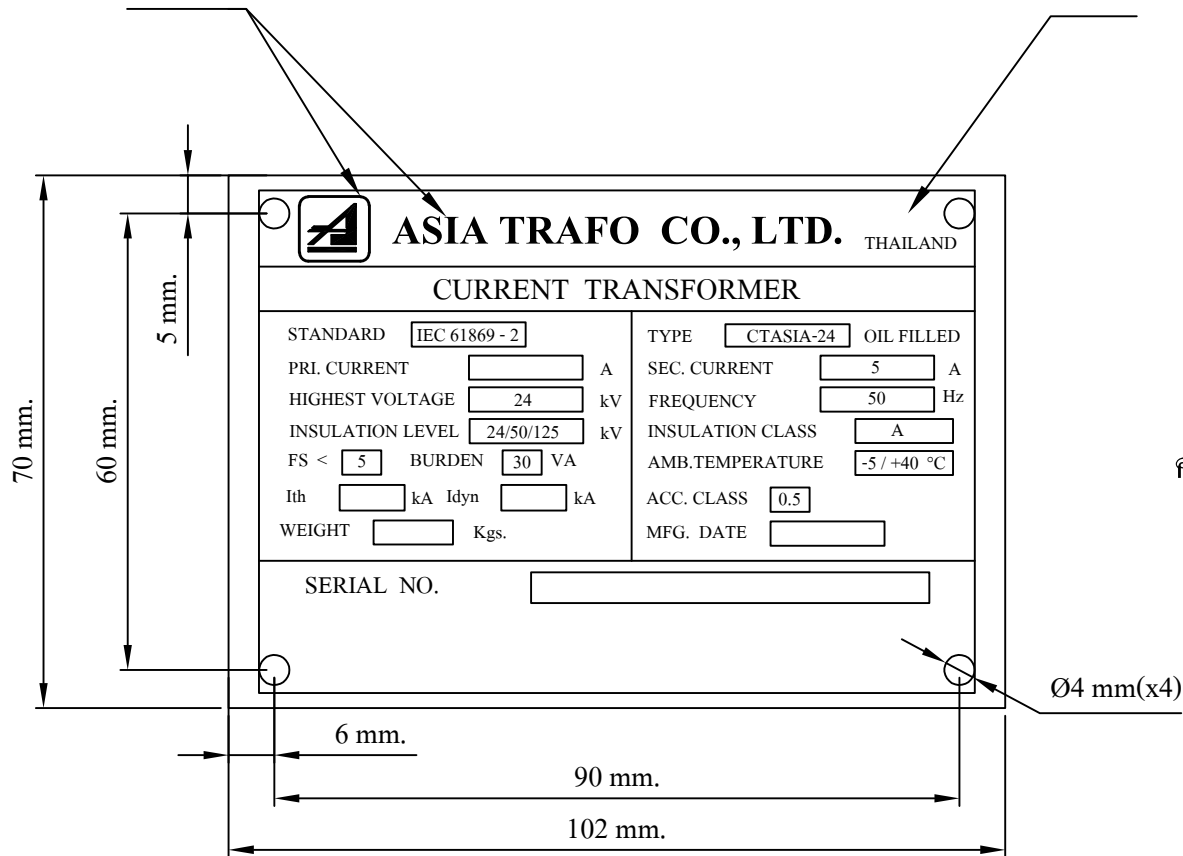
Dimension in millimeter				
H	L	W	Weight(kg)	Oill(L)
595	470	277	29	4

△	
△	
Rev.No.	Revision Note

 บริษัท เอเชีย ทราฟ จำกัด ASIA TRAF0 CO.,LTD	MODEL/DESCRIPTION: CT 200/5A	
	DWG: 200/5-22-01	
DIMENSION IN MILLIMETER		
DESIGNED	NAME รัฐมนตรา	DATE 12/6/2566
CHECKED	กิตติ	12/6/2566
APPROVED	กิตติ	12/6/2566
WORK NO :		QTY.....EA
SCALE:		REV:0
		SHEET 1 OF 7

ขอบนอกของตัวหนังสือและเส้น (สีอลูมิเนียม)

พื้น(สีน้ำเงิน)



ความหนา 1 มิลลิเมตร (mm)

	บริษัท เอเชีย ทราฟโฟ จำกัด ASIA TRAF0 CO.,LTD		MODEL/DESCRIPTION :	
			Name Plate CT 22 kV	
			DWG.No :	
			200/5-22-01	
		DIMENSION IN MILLIMETER		WORK NO :
		NAME	DATE	QTY..... EA
△		DESIGNED	รัฐมนตรา 12/6/2566	
△		CHECK	กิตติ 12/6/2566	SCALE :
Rev No.	Revision Note.	APPROVED	กิตติ 12/6/2566	REV : 00 SHEET 1 OF 1