



Asia Trafo Co., Ltd

SPECIFICATION OF OIL IMMERSED VOLTAGE TRANSFORMER

VOLTAGE TRANSFORMER SPECIFICATION

24000/ $\sqrt{3}$ - 120/ $\sqrt{3}$ V 3Ph. 50 Hz.

50VA. Class 0.5

88/99 หมู่ 12 ซ. สุนทรวิภาค ถ.บางพลี - ตำหนุ ต.บางปลา อ.บางพลี จ.สมุทรปราการ 10540 Tel. (02) 346-0980-7 Fax. (02) 346-0978-9

88/99 Moo.12 Soi sunthonwipark Bangplee -tumroo Road Bangpra Bangplee samuthprakarn 10540 Tel. (02) 346-0980-7 Fax. (02) 346-0978-9

SPEC NO.

S-VT24000/ $\sqrt{3}$ -120/ $\sqrt{3}$ V

Page 1/3



Asia Trafo Co., Ltd

SPECIFICATION OF OIL IMMERSED VOLTAGE TRANSFORMER

TECHNICAL DATA FOR 24000/√3 - 120/√3 V 3Ph. 50 Hz. 50VA. Class 0.5

| No. | Description | Unit | Guaranteed Value | | |
|----------|--|-------------|--|-------------|-----------|
| | 24000/√3 - 120/√3 V voltage transformers | | | | |
| 1 | Manufacture's name | - | ASIA TRAF0 CO.,LTD. | | |
| 2 | Country of origin | - | Thailand | | |
| 3 | Type of transformer | - | Outdoor Installation, 3 Phase | | |
| 4 | Applied standard | - | IEC 61869-1, IEC 61869-3 | | |
| 5 | Type of outer insulation | - | Oil Immersed | | |
| | Rating | | | | |
| 7 | Norminal voltage | kV | 24 | | |
| 8 | Highest voltage for equipment Um | kV | 24 | | |
| 9 | Connection Winding | - | YNyn0 | | |
| 10 | Rated primary voltage | V | 24000/√3 | | |
| 11 | Rated secondary voltage - Voltage Measuring (YNyn0) | V | 110/√3 | | |
| 12 | Rated frequency | Hz | 50 | | |
| 13 | Rated Burden | VA | 50 | | |
| 14 | Accuracy class | - | 0.5 | | |
| 15 | Rated voltage factor | - | 1.2 Continuous and 1.5 at 30 sec | | |
| 16 | Minimum nominal specific creepage distance | mm/kV | ≥ 25 | | |
| 17 | Rated power frequency withstand voltage on primary and secondary winding | kVrms | 50/3 | | |
| 18 | Rated lightning impulse withstand voltage | kVpeak | 125 | | |
| 19 | Class of insulation | - | A (105 °C) | | |
| | Weight / dimensions and installation | | | | |
| 20 | Primary terminals / Primary connector | - | Solderless clamp type terminal connector | | |
| 21 | Secondary terminals | - | Brass stud type / M6 | | |
| 22 | Earth terminal | - | for 50-95 mm ² ACSR conductor | | |
| 23 | Altitude | - | Up to 1,000 m above sea level | | |
| 24 | Maximum temperature-rise test of winding | k | 60 | | |
| 25 | Maximum ambient temperature | °C | 40 | | |
| 26 | Dimension (WxLxH) | mm | 606 x 710 x 794 | | |
| 27 | Total weight (approx.) | kg | ≤ 160 | | |
| | Other | | | | |
| 28 | Accessories as per the specification | - | Yes | | |
| | Test requirements | | | | |
| 29 | Type test reports | - | Yes | | |
| 30 | Routine test reports | - | Yes | | |
| Rev | Date | Prepared by | Checked by | Approved by | Signature |
| 00 | 12/6/2566 | รัฐมนตรา | กิตติ | กิตติ | |
| SPEC NO. | S-VT24000/√3 -120/√3 V | | | | Page 2/3 |



Asia Trafo Co., Ltd

SPECIFICATION OF OIL IMMERSED TRANSFORMER

Accessories

- HV & LV Bushing with terminal connectors
- Name plate
- Bird guard cap
- Earthing terminal
- Other ... Factory standard

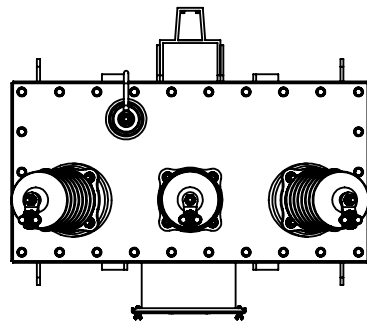
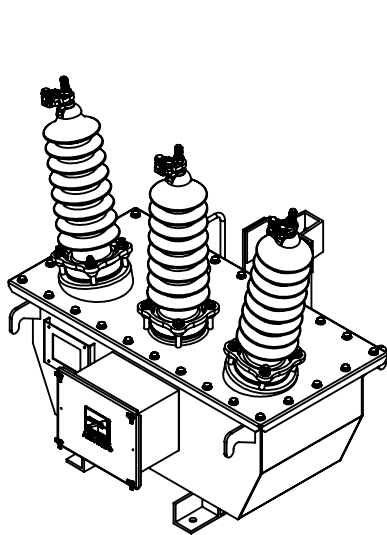
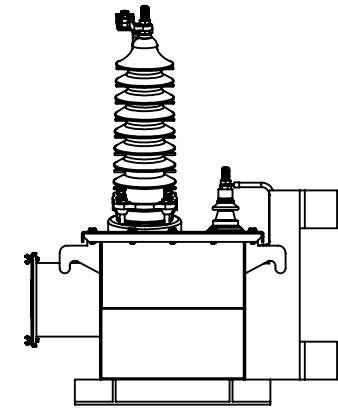
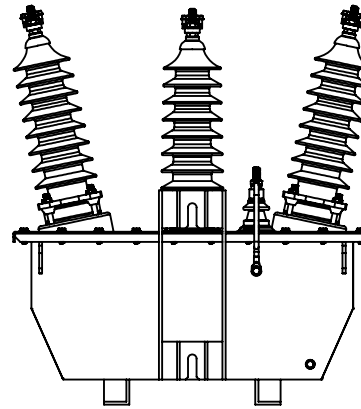
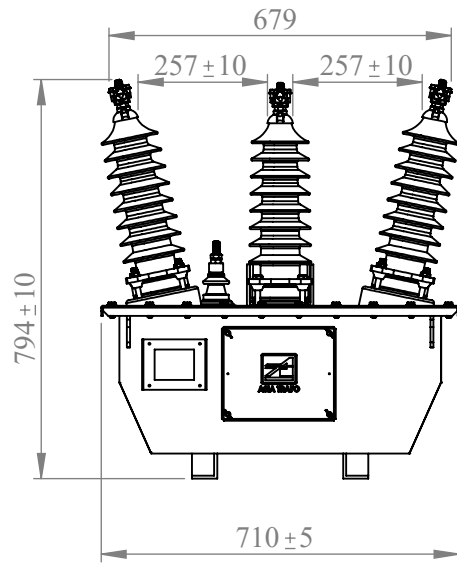
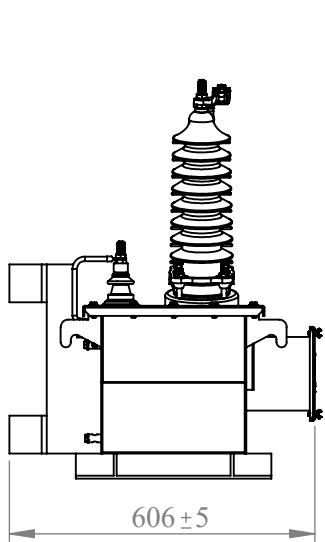
Routine test

- Verification marking
- Insulation resistance
- Power frequency voltage withstand tests on primary terminals
- Power frequency voltage withstand test on secondary terminals
- Partial discharge measurement
- Induce overvoltage withstand test
- Test for accuracy

■ with


□ without

| Rev | Date | Prepared by | Checked by | Approved by | Signature |
|----------|------------------------|-------------|------------|-------------|-----------|
| 00 | 12/6/2566 | รัฐมนตรา | กิตติ | กิตติ | |
| SPEC NO. | S-VT24000/√3 -120/√3 V | | | | Page 3/3 |

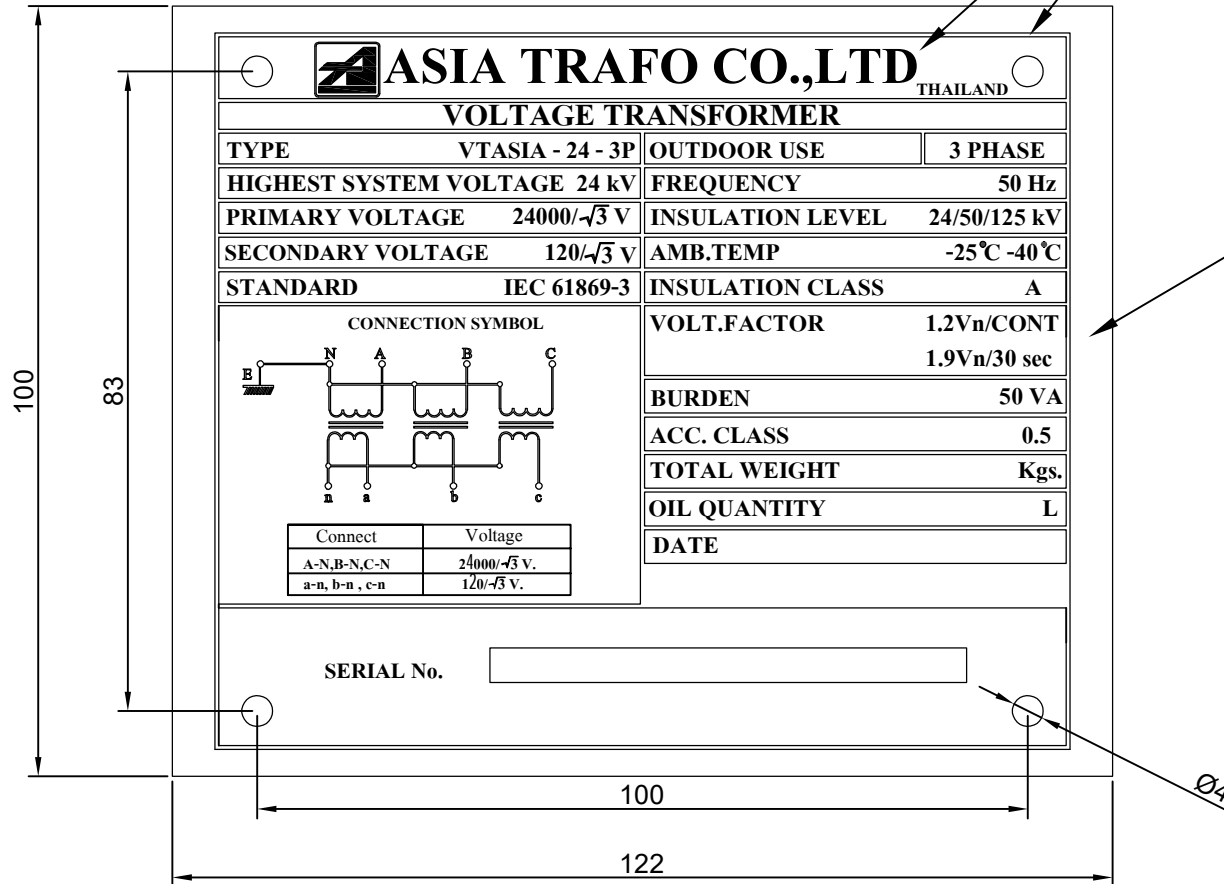


| Dimension in millimeter | | | | |
|-------------------------|-----|-----|-------------|--------|
| H | L | W | Weight (kg) | Oil(L) |
| 794 | 710 | 606 | 145 | 45 |

| | |
|---------|---------------|
| △ | |
| △ | |
| Rev.No. | Revision Note |

| | | |
|--|---|---|
|  บริษัท เอเชีย ทราโฟ จำกัด ASIA TRAFKO CO.,LTD | MODEL/DESCRIPTION: VT 3P 24000/sqr3 - 120/sqr3 V | |
| | DWG: 3P-24-01 | |
| DIMENSION IN MILLIMETER | | WORK NO : |
| DESIGNED | NAME วิธมนตรา | DATE 12/6/2566 |
| CHECKED | กิตติ | 12/6/2566 |
| APPROVED | กิตติ | 12/6/2566 |
| | | QTY.....EA SCALE: REV:0 SHEET 1 OF 1 |

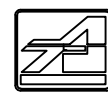
ตัวหนังสือเส้นต่างๆ สีอูนิเนียม



พื้นสีน้ำเงิน

ความหนา 1 มิลลิเมตร (mm)

หน่วย : มิลลิเมตร (mm)



บริษัท เอเชีย ทราฟ จำกัด
ASIA TRAF0 CO.,LTD

MODEL/DESCRIPTION :

Nameplate VT 24000sqr3-120sqr3 V

DWG.No :

3P-24-01

WORK NO :

QTY..... EA

SCALE :

REV : 00

SHEET 1 OF 1

| | |
|---------|----------------|
| △ | |
| △ | |
| Rev No. | Revision Note. |

| | | | |
|----------|----------|------|-----------|
| DESIGNED | รัฐมนตรา | DATE | 12/6/2566 |
| CHECK | กิตติ | DATE | 12/6/2566 |
| APPROVED | กิตติ | DATE | 12/6/2566 |

| | | | |
|-------------------------|----------|-----------|--|
| DIMENSION IN MILLIMETER | | | |
| NAME | DATE | WORK NO : | |
| DESIGNED | รัฐมนตรา | 12/6/2566 | |
| CHECK | กิตติ | 12/6/2566 | |
| APPROVED | กิตติ | 12/6/2566 | |

| | | |
|---------|----------|--------------|
| SCALE : | REV : 00 | SHEET 1 OF 1 |
|---------|----------|--------------|